

# 622/632

## 622/632-Series

### SMALL-SIZED ROCKER SWITCHES

A high powered offering packed into a small-sized envelope, the 622/632-Series is a staple of numerous markets. With its silver-alloy butt contacts, the 622/632 will handle inrush spikes up to 100 amps and steady state current to 12A 125VAC. The lighted 632-Series features a multitude of illumination circuit options available with LED, incandescent and neon style lamps.



#### Product Highlights:

- Illuminated or Non-Illuminated
- Silver Plated Butt contacts that handle high Inrush spikes
- Independent or Dependent lamp circuitry
- Industry standard size mounting hole

#### Typical Applications:

- Appliance
- Food Service
- Transportation
- General Purpose



**Carling Technologies®**  
Innovative Designs. Powerful Solutions.

**Techna**

[www.techna.co.uk](http://www.techna.co.uk)

### Dielectric Strength

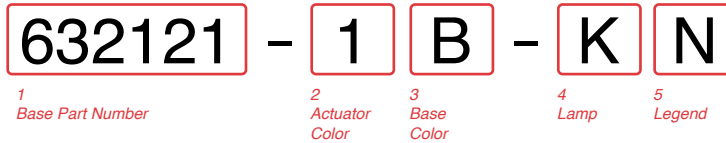
UL/CSA:  
1000V-live to dead metal parts  
& opposite polarity

### Electrical Life

50,000 cycles

### Operating Temperature

32°F to 185°F (0°C to 85°C)



**BASE PART NUMBER: SERIES / CIRCUITRY / RATING / TERMINATION**  
**8A 250VAC; 12A 125VAC; 1/2 HP 125-250VAC**  
**622-SERIES NON-ILLUMINATED ROCKER**

ON-none-OFF (Single Pole)  
 ON-none-OFF (Double Pole)  
**632-SERIES ILLUMINATED ROCKER**  
 ON-none-OFF (Single Pole, dependent lamp) schematic 1  
 ON-none-OFF (Single Pole, independent lamp) schematic 3  
 ON-none-OFF (Single Pole, independent lamp unballasted) schematic 5  
 ON-none-OFF (Double Pole, dependent lamp with 5 terms.) schematic 2  
 ON-none-OFF (Double Pole, dependent lamp with 4 terms.) schematic 4

Solder Lugs	.187 Tabs
622121	622122
622221	622222
632121	632122
632321	632322
632521	632522
632221	632222
632421	632422

**2 ACTUATOR COLOR<sup>3</sup>**

<b>622 (non illuminated)</b>	<b>632 (illuminated)</b>
<b>B</b> Black	<b>1</b> Clear Amber
<b>W</b> White	<b>2</b> Clear Red
	<b>3</b> Clear Blue <sup>2</sup>
	<b>4</b> Clear Green
	<b>5</b> Clear

**4 LAMP VOLTAGE / STYLE<sup>1</sup>**

<b>N</b> 622 (non illuminated)	<b>A</b> 6V incandescent
<b>1</b> unballasted LED	<b>C</b> 12V incandescent
<b>2</b> 6V LED	<b>E</b> 18V incandescent
<b>3</b> 12V LED	<b>H</b> 24V incandescent
<b>4</b> 24V LED	<b>J</b> 125V neon
	<b>K</b> 250V neon

**3 BASE COLOR<sup>3</sup>**

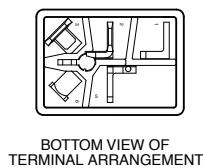
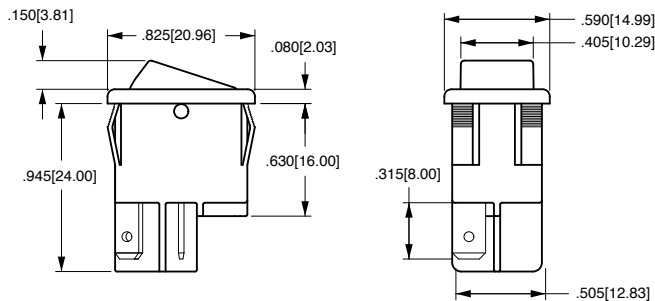
<b>B</b> Black	<b>W</b> White
----------------	----------------

**5 ROCKER LEGEND**

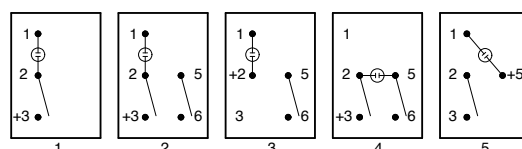
**N** NO Legend  
**A** OFF-ON vertical  
**B** OFF-ON horizontal  
**D** I-O horizontal  
**E** I-O vertical  
**F** O on rocker radius

Notes:

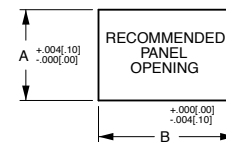
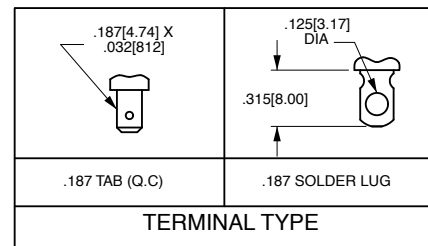
- For all incandescent or LED lamps specify 5 in 5th digit of part number.  
Example 632151-1B-CN
- Available with incandescent lamps only.
- Additional colors available. Consult factory for details.



632 SCHEMATIC



UNBALLASTED



PANEL THICKNESS	A	B
.030[.76]-.050[1.27]	.508[12.90]	.756[19.20]
.050[1.27]-.078[1.98]	.508[12.90]	.764[19.40]
.078[1.98]-.125[3.17]	.508[12.90]	.780[19.81]

\*Manufacturer reserves the right to change product specification without prior notice.